

Axial Lead and Cartridge Fuses

Midget

RoHS **Pb** **Class CC*** Fast-Acting & Slo-Blo® Type Fuses CCMR Series



Fast-acting KLKR fuses provide fast-acting protection to equipment containing surge sensitive components. Use KLKR fuses for non-inductive loads not requiring time delay. CCMR fuses (formerly KLMR) are specifically designed to withstand sustained starting currents of small motors. The CCMR fuses provide short-circuit protection for motor branch-circuits. KLDR fuses are specifically designed to withstand the momentary high magnetizing currents of control transformers, solenoids, and similar inductive loads.

ELECTRICAL CHARACTERISTICS:

% of Ampere Rating	Ampere Rating	Opening Time
110%	1/10–30	15 minutes, Minimum
135%	1/10–30	1 hour, Maximum

AGENCY APPROVALS: DC ratings are self-certified. KLKR Series: UL listed Fast-Acting Class CC per UL 248 and CSA Certified. KLDR, CCMR Series: UL listed Time-Delay Class CC per UL 248 and CSA Certified.

*CCMR 35-60A UL Listed Time-Delay Class CD.

INTERRUPTING RATING:

- AC: 200,000 ampere
- DC: 20,000 amperes

ORDERING INFORMATION:



ENVIRONMENTAL SPECS: only KLKR is RoHS compliant and lead-free

AGENCY FILE NUMBERS: UL E81895, CSA LR 29862.

- VOLTAGE RATINGS:**
- AC: 600 Volts
 - DC: 250 Volts (CCMR 2/10 – 2A)
 - (CCMR 4 1/2 – 10A)
 - (CCMR 35 – 60A)
 - 300 Volts (CCMR 2 1/4 – 4A)
 - 300 Volts (KLDR)
 - 300 Volts (KLKR)

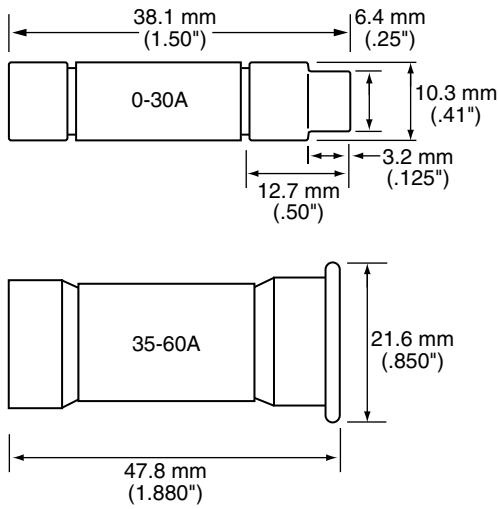
Ampere Rating	Catalog Number	Nominal Resistance Cold Ohms	Catalog Number	Nominal Resistance Cold Ohms	Catalog Number	Nominal Resistance Cold Ohms
1/10	—	—	KLDR.100	246	KLKR.100	79.33
1/8	—	—	KLDR.125	134.9	KLKR.125	56.52
15/100	—	—	KLDR.150	96	—	—
3/16	—	—	KLDR.187	66.4	—	—
2/10	CCMR.200	68.4	KLDR.200	57.8	KLKR.200	28.21
1/4	CCMR.250	43.3	KLDR.250	31.61	KLKR.250	19.22
3/10	CCMR.300	28.6	KLDR.300	25.5	KLKR.300	15.10
4/10	—	—	KLDR.400	13.6	—	—
1/2	CCMR.500	7.62	KLDR.500	15.9	KLKR.500	6.95
6/10	CCMR.600	8.2	KLDR.600	9.99	—	—
3/4	—	—	KLDR.750	6.08	KLKR.750	3.581
8/10	CCMR.800	4.013	KLDR.800	6.2	—	—
1	CCMR 001.	2.59	KLDR 001.	4.0	KLKR 001.	.2342
1 1/8	—	—	KLDR 1.12	2.94	—	—
1 1/4	CCMR 1.25	1.687	KLDR 1.25	2.33	—	—
1 4/10	CCMR 01.4	1.33	KLDR 01.4	1.5	—	—
1 1/2	CCMR 01.5	1.24	KLDR 01.5	.898	KLKR 01.5	.225
1 6/10	CCMR 01.6	.9894	KLDR 01.6	.625	—	—
1 8/10	CCMR 01.8	.7783	KLDR 01.8	.486	—	—
2	CCMR 002.	.485	KLDR 002.	.55	KLKR 002.	.135
2 1/4	CCMR 2.25	.4166	KLDR 2.25	.52	—	—
2 1/2	CCMR 02.5	.3375	KLDR 02.5	.333	KLKR 02.5	.0906
2 8/10	CCMR 02.8	.2400	KLDR 02.8	.26	—	—
3	CCMR 003.	.2188	KLDR 003.	.21	KLKR 003.	.0776
3 2/10	CCMR 03.2	.1855	KLDR 03.2	.171	—	—
3 1/2	CCMR 03.5	.1346	KLDR 03.5	.239	KLKR 03.5	.0562
4	CCMR 004.	.1231	KLDR 004.	.118	KLKR 004.	.0468
4 1/2	CCMR 04.5	.093	KLDR 04.5	.082	—	—
5	CCMR 005.	.0704	KLDR 005.	.0399	KLKR 005.	.0332
5 6/10	CCMR 05.6	.0535	KLDR 05.6	.0334	—	—
6	CCMR 006.	.0517	KLDR 006.	.0315	KLKR 006.	.0238
6 1/4	CCMR 6.25	.0464	KLDR 6.25	.03	—	—
7	CCMR 007.	.0369	KLDR 007.	.0253	KLKR 007.	.0208
7 1/2	CCMR 07.5	.027	KLDR 07.5	.0205	—	—
8	CCMR 008.	.023	KLDR 008.	.0193	KLKR 008.	.0177
9	CCMR 009.	.0193	KLDR 009.	.0155	KLKR 009.	.0151
10	CCMR 010.	.0133	KLDR 010.	.0122	KLKR 010.	.01325
12	CCMR 012.	.0114	KLDR 012.	.0114	KLKR 012.	.00852
15	CCMR 015.	.00708	KLDR 015.	.00708	KLKR 015.	.0074
17 1/2	CCMR 17.5	.00495	KLDR 17.5	.00495	—	—
20	CCMR 020.	.00360	KLDR 020.	.0036	KLKR 020.	.00511
25	CCMR 025.	.00250	KLDR 025.	.0025	KLKR 025.	.003775
30	CCMR 030.	.00240	KLDR 030.	.0024	KLKR 030.	.002954
35	CCMR 035.	.00426	—	—	—	—
40	CCMR 040.	.00286	—	—	—	—
45	CCMR 045.	.00246	—	—	—	—
50	CCMR 050.	.00182	—	—	—	—
60	CCMR 060.	.00118	—	—	—	—

11
AXIAL LEAD AND CARTRIDGE FUSES

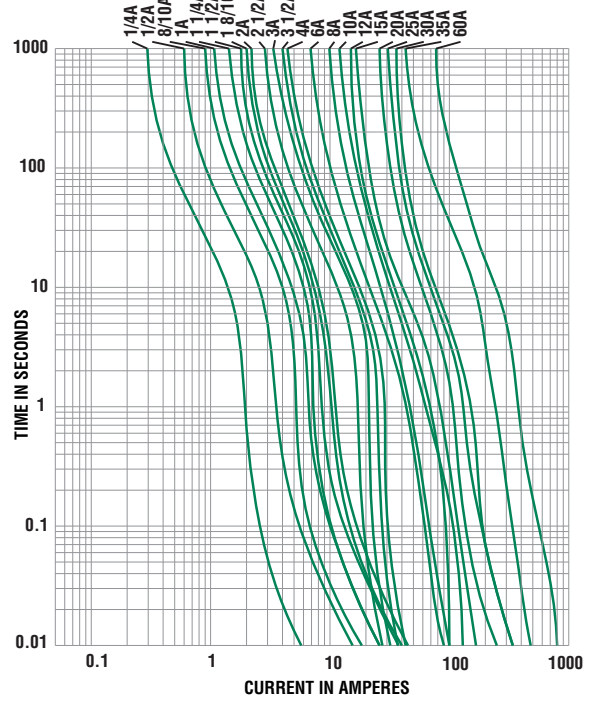
11
AXIAL LEAD AND CARTRIDGE FUSES

Axial Lead and Cartridge Fuses

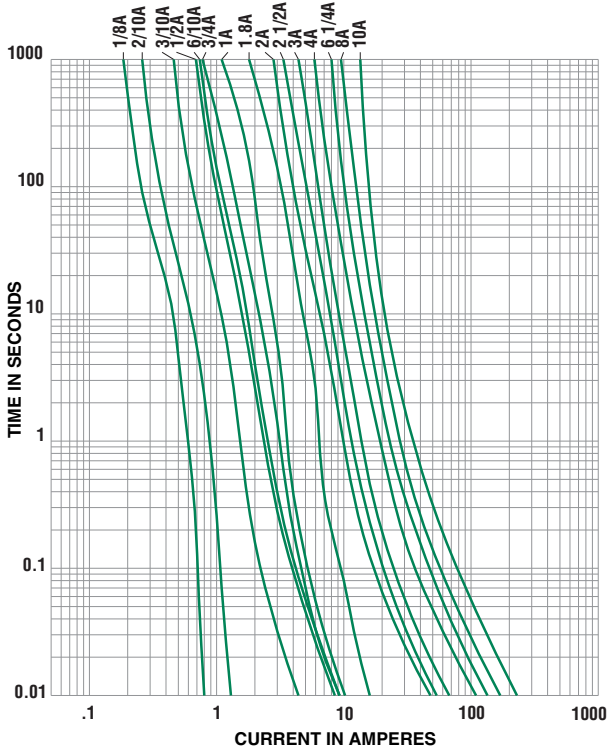
RoHS **Pb** **Class CC*** Fast-Acting & Slo-Blo® Type Fuses CCMR Series



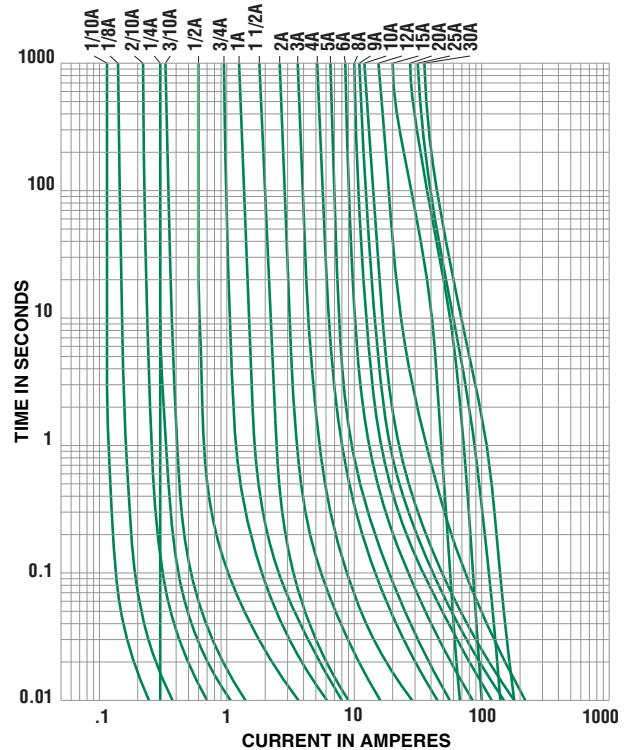
Average Time Current Curve (CCMR)



Average Time Current Curve (KLDR)



Average Time Current Curve (KLKR)



AXIAL LEAD AND
CARTRIDGE FUSES